



**\$375**  
Model Shown

**LCWD Series  
Compression  
0-200 to 0-200,000 lb  
±900 N to ±900 kN**

1 Newton = 0.2248 lb  
1 daNewton = 10 Newtons  
1 lb = 454 g  
1 t = 1000 kg = 2204 lb

- ✓ 5-Point Calibration Included
- ✓ Compact Design
- ✓ Spherical Washers Included
- ✓ Load Buttons Included
- ✓ Recommended Use of Spherical Washers When Used with Bolts
- ✓ Recommended Use of Load Button When Used as Compression Load Cell

**SPECIFICATIONS:**

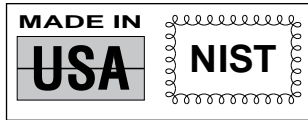
**Output:** 2 mV/V

**Excitation:** 10 Vdc (15V Max)

**Accuracy Class:** Linearity, Hysteresis and Repeatability Combined:  
≤ 10K = 0.25% FSO

>10K = 1%

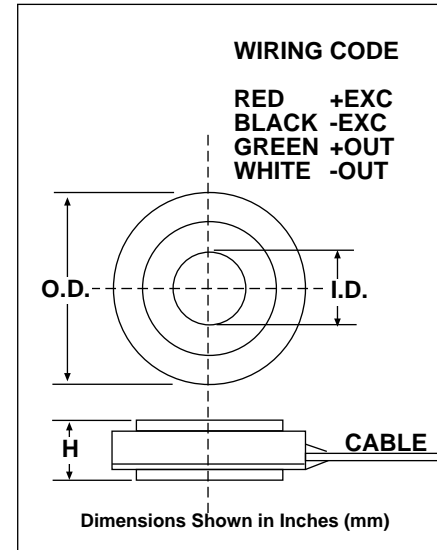
**Zero Balance:** ±2.0% FSO



Interchangeable with  
Model TH-LCW

**SPEC SHEET**  
LCWD

# COMBINATION LOAD WASHER / COMPRESSION LOAD CELL



Range	I.D.	O.D.	H
200-10K	0.40 (10)	1.0 (25)	0.35 (9.0)
20K	0.50 (13)	1.2 (30)	0.40 (10)
50K	0.76 (19)	1.75 (44)	0.50 (13)
100K	1.01 (26)	2.25 (57)	0.70 (18)
200K	2.00 (51)	3.63 (92)	1.0 (25)

**Bridge Resistance:** 350 ohms

**Full Scale Deflection:** .001" typical

**Construction:** Stainless Steel.

**Electrical:** 3 ft (0.9 m) PVC insulated shielded cable

For Sales and Service  
In U.S.A. and Canada

**1-800-872-3963<sup>SM</sup>**  
**1-800-USA-DYNE**

International Customers Dial  
**(614) 965-9340**  
24-Hour FAX (614) 965-9438

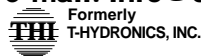
**OMEGADYNE<sup>SM</sup> FAX**

OMEGADYNE's 24-Hour  
On-Line Publishing Service

**1-800-344-3963<sup>SM</sup>**  
**1-800-DIG-DYNE**

Document # 3729

**OMEGADYNE, Inc.**  
149 Stelzer Court, Sunbury, OH 43074  
<http://www.omegadyne.com>  
e-mail: [info@omegadyne.com](mailto:info@omegadyne.com)



© COPYRIGHT 1996 OMEGADYNE, INC. ALL RIGHTS RESERVED.

➔ **Most Popular Models Highlighted** ◀

Prices Shown in U.S. Dollars

To Order: (Specify Model Number)						
Capacity (lb)	Model Number	Price	Compatible Meters	Spherical Washers Model	ID	Price
0-200	LCWD-200	\$375	INFW, INFS, INFCS	SPW-2	0.34 (8.7)	\$10
0-500	LCWD-500	375	INFW, INFS, INFCS	SPW-2	0.34 (8.7)	10
0-1,000	LCWD-1K	375	INFW, INFS, INFCS	SPW-2	0.34 (8.7)	10
0-2,000	LCWD-2K	375	INFW, INFS, INFCS	SPW-2	0.34 (8.7)	10
0-5,000	LC1WD-5K	375	INFW, INFS, INFCS	SPW-2	0.34 (8.7)	10
0-10,000	LCWD-10K	445	INFW, INFS, INFCS	SPW-2	0.34 (8.7)	10
0-20,000	LCWD-20K	495	INFW, INFS, INFCS*	SPW-3	0.41 (10)	10
0-50,000	LCWD-50K	535	INFW, INFS, INFCS*	SPW-5	0.66 (17)	15
0-100,000	LCWD-100K	595	INFW, INFS, INFCS*	SPW-7	0.94 (8.7)	15
0-200,000	LCWD-200K	995	INFW, INFS, INFCS*	SPW-7	0.94 (8.7)	15

\* 4-Digit Meter

\*\* One set of spherical washers supplied with each load cell

Interchangeable with Model TH-LCW

Metric Ranges Available — Consult Engineering

**Ordering Examples:** 1.) LCWD-500 is a 500 lb capacity load washer supplied with 2 load buttons and a set of spherical washers \$375. 2.) LCWD-100K is a 100,000 lb capacity load washer supplied with 2 load buttons and a set of spherical washers \$595.

Printed On Recycled Paper

